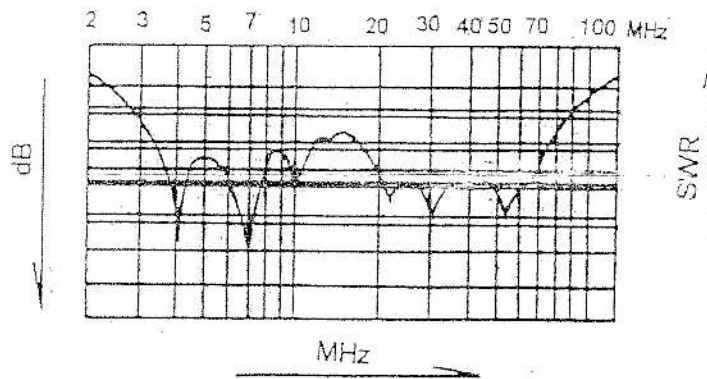
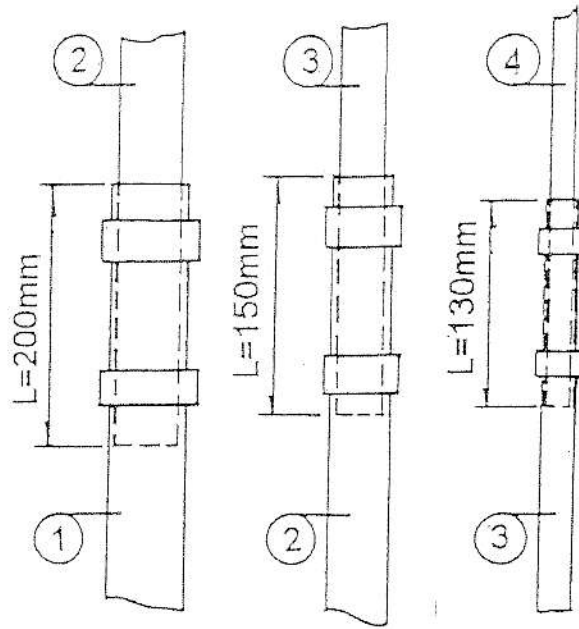
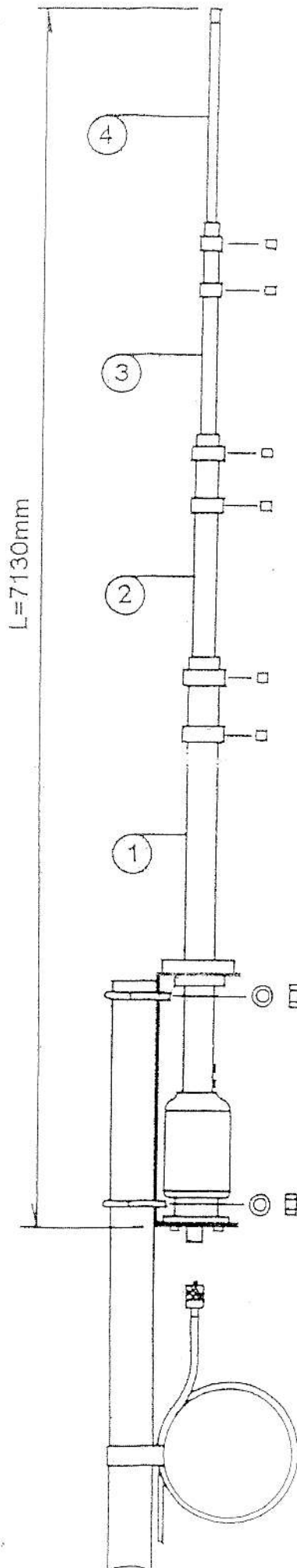


BROAD BAND GP

KX-520 B



TX : 3.5~57MHz

RX : 2.0~90MHz

Type : GP

Max.power rating : 250W

Impedance : 50Ω

VSWR : Less than 1.5:1

Connector : MJ

Length : 7.13M

Weight : 3.0kg

Rated wind velocity : 30m/sec

Mast diameter accepted : 25~42 φ